

6

5

4

3

2

Dali Distribution Box

5-button operators panel



Dali line: min 2 x 1,5mm²

Dali Power

230VAC

Dali Power (1 per group)

230VAC

230VAC

Dali line: min 2 x 1,5mm²

1

2

3

4

5

64

65

66

67

68

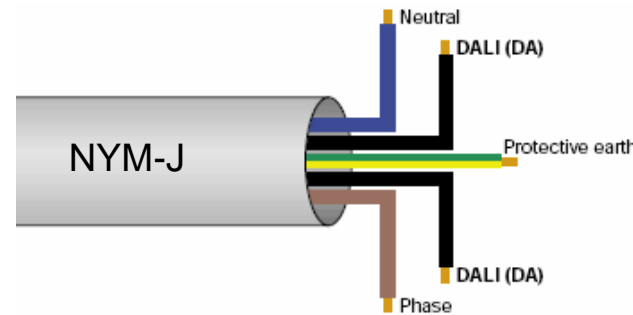
69

128

230VAC

230VAC

Recommended cabling



DALI alternatives:

- DALI 5-button operators panel (+ label)
- DALI Key Lock operators panel
- DALI PMU dimmer
- DALI-PS power supply, rail mounting
- DALI-PS 1, power supply, separate box
- DALI distribution box, rail mount
- DALI distribution box, separate box
- Other DALI componets on request

NOTES:

- Max recommended number of CrystalLed lamps per 16A circuit breaker: 25
- Recommended minimum cross section for Dali line: 100m: 0,5mm / 150m: 0,75mm / 300m: 1,5mm
- Max 64 units in one Dali group.
- Max 8 groups of lamps per Dali Distribution Box (512 lamps).
- Several Dali Distribution Boxes can be installed for larger systems.
- 1 Dali Power per group.

Typical plan

- 5-button panel
- Dali dimmer
- Dali distribution box
- Dali Power
- Dali CrystalLED lamps



Typical cable plan Number of units > 64

SIZE	CAGE CODE	DWG NO	REV
A3			1
SCALE	SHEET		
Not to scale	1 av 1		

Drawn by: Gran

6

5

4

3

2

1