



LLG Linear LED Light series



www.ledlightgroup.com

New.....

..... Energy saving

Light technology

- Unique design
- Maintenance savings
- Quality components



Use 1



Use 2



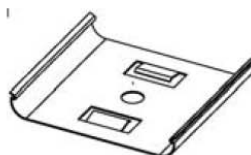
Use 3



Plastic connector



Connector cable



Mounting Clip



Led power supply



DC receptacle

Ledlight Group Linear-Led Light series is widely used in showcases, display, shelf, refrigerator, case or furniture. This is extremely Thin

Linear LED Light is especially applied to hidden/ covert installation. After processed by special optical system, which has patented, this kind of extremely thin linear light indeed becomes a continuous / real linear light source. By using connector cable and/or plastic connector, a few lamps can be installed in a row quickly and easily. The single Linear-LED Light comes in three different sizes (L=300mm/500mm/1000mm).

Benefits

- Energy saving up to 50% compared with traditional fluorescent under the same flux
- Life Span—over 50,000 hours
- Available in cool white, neutral white, and warm white color temperatures; Available in other colors
- Easy linking up to 36 watts per run
- Easy installation
- Low voltage, more safety.

Applications

LED show case lighting; LED shelf lighting; LED under counter lighting; LED display case lighting; LED retail product Lighting; LED Furniture Lighting; LED bookcase lighting; LED wardrobe lighting; LED wine cabinet lighting; LED under cabinet lighting; LED kitchen cabinet lighting; LED cove lighting; LED accent lighting; LED task lighting; LED product line lighting.

Technical Operating Data

length	Color	Number of leds	Voltage	Power	Radiance	Color Temp	Luminous Flux
[mm]		[pcs]	[V DC]*	[W]	Angle [°]	[K]*	[lm]*
L=300	white	3	12/24	6	60	2700-6500k	330
L=500	white	6	12/24	12	60	2700-6500k	630
L=1000	white	12	12/24	24	60	2700-6500k	1200

Technical Features

Dimensions: 33mm (width) x 8mm (height) x "L"

Materials: Aluminum extrusion with black plastic end caps, Acrylic Lens

Light Source: High brightness SMD3528 LED

Operating Temperature: -20°C to 40°C - Indoors

Warranty: 2 year with proper installation and power supply

Installation: 2 Mounting Clips and 2 M2.6x10 screws make it easy to install

Note: 1) Each Co1 color box includes 1lamp, 2 Mounting Clip, 2 M2.6x10 screws, 1 manual. (1 Plastic connector, 1 Connector cable is optional)
 2) You can choose different power supply and accessories according to the power supply usage instruction,

Power supply usage instruction

The following table shows how many lamps the power supply can drive respectively. You can select suitable power supply according to the power per run.

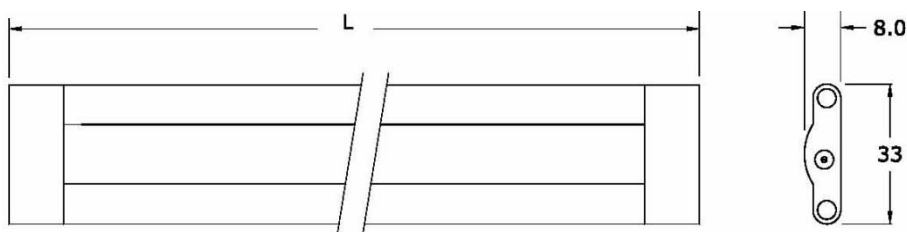
Power Supply	300mm	500mm	1000mm
6W	2	1	XXX
12W	4	2	1
24W	8	4	2
36W	12	6	3

Note: 1) The power supply's power should be over the total power when lamps are linked up.

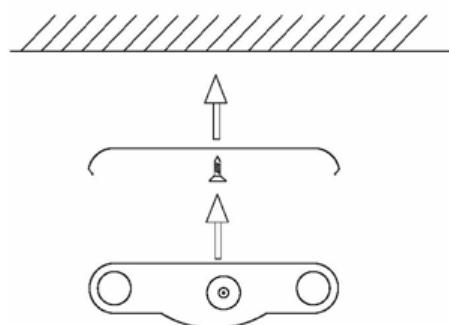
Safety Information

- 1) Indoor use only
- 2) LED Module incorporates no protection against short circuits, overload or overheating. Therefore it is absolutely necessary to operate the modules with an electronically stabilised power supply offering protection against the above mentioned safety risks. Our power supply is specifically designed with protection features for safe operation. When using power supply other than us, the following basic safety features are required, in addition to any other application specific concerns and local safety codes:
 Short circuit protection Overload protection Overheat protection

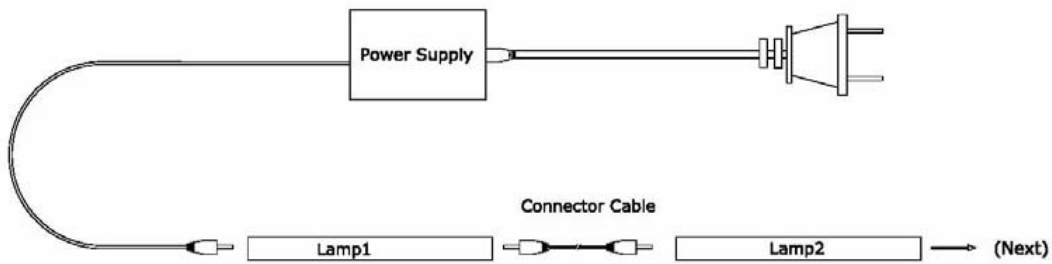
Drawing



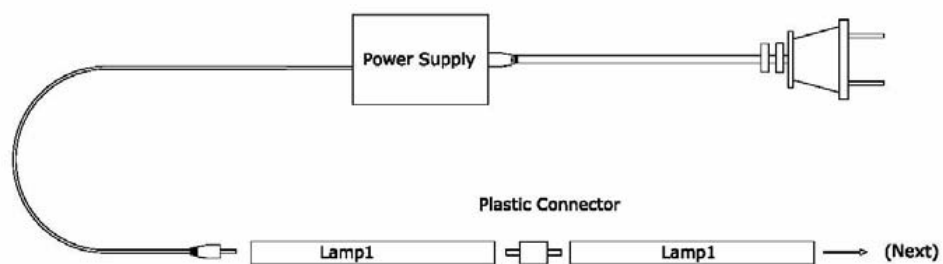
Installation information:



Complete set connection guide:



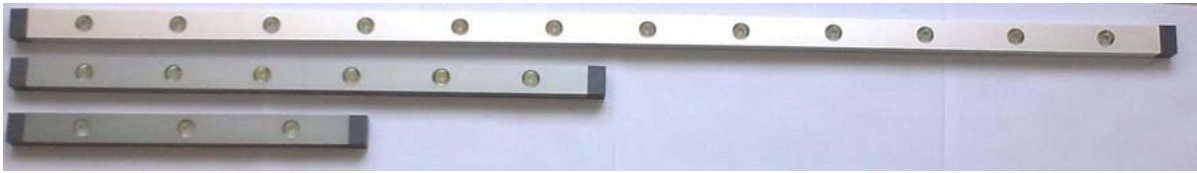
Connection 1 (A certain distance between lamps)



Connection 2 (Connected in a row without clearance)

Note: 1) Each box includes 1lamp, 2 Mounting Clip, 2 M2.6x10 screws, 1 manual.
 (1 Plastic connector,
 1 Connector cable is optional)
 2) You can choose different power supply and accessories according to the power supply usage instruction,

Data Sheet
Square Linear LED Light



Plastic connector



Led power supply



Mounting Clip



Connector cable

Ledlight Group Linear-Led Light is widely used in showcases, display case or furniture. It provides a high-brightness continuous linear light source. By using connector cable and/or plastic connector, a few lamps can be installed in a row quickly. The single Linear-LED Light comes in three different sizes (L=300mm/500mm/1000mm) and can be recessed or surface mounted.

Benefits :

- Energy saving up to 50% compared with traditional fluorescent under the same flux
- Two optional power supply inputting positions can meet any requirement of different using environment, one is from either end of light fixture, the others is from back side to cable connection.
- Life Span—over 50,000 hours
- Available in cool white neutral white and warm white color temperatures; Available in other colors
- No harmful ultraviolet (UV) rays
- Easy linking up to 36 watts per run
- Easy installation
- Available in three different sizes

Applications :

LED show case lighting; LED shelf lighting; LED under counter lighting; LED display case lighting; LED retail product Lighting; LED Furniture Lighting; LED bookcase lighting; LED wardrobe lighting; LED wine cabinet lighting; LED under cabinet lighting; LED kitchen cabinet lighting; LED cove lighting; LED accent lighting; LED task lighting; LED product line lighting

Technical Operating Data :

length	Color	Number of leds	Voltage	Power	Radiance	Color Temp	Luminous Flux
[mm]		[pcs]	[V DC]	[W]	Angle [°]	[K]	[lm]
L=300	white	3	12/24	6	75	2700-6500k	330
L=500	white	6	12/24	12	75	2700-6500k	630
L=1000	white	12	12/24	24	75	2700-6500k	1200

Technical Features :

Dimensions: 25.5mm (width) x 15mm (height) x "L"
 Materials: Aluminum extrusion with black plastic end caps, Acrylic Lens
 Light Source: Cree high power led
 Operating Temperature: -20°C to 40°C - Indoors
 Warranty: 2 year with proper installation and power supply
 Installation: 2 Mounting Clips and 2 M3.0 screws allows easy installation

Power supply usage instruction

The following table shows how many lamps the power supply can drive respectively. You can select suitable power supply according to the power per run.

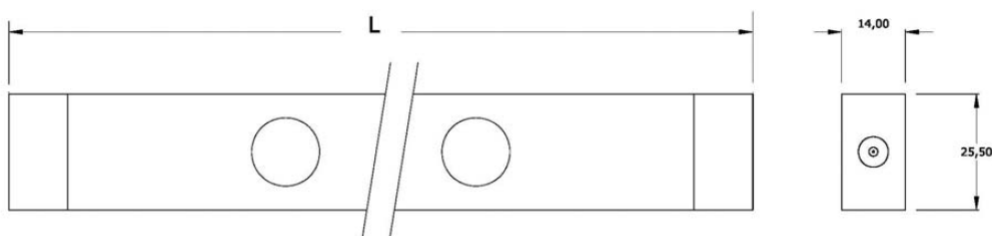
Power Supply	300mm	500mm	1000mm
6W	1	XXX	XXX
12W	2	1	XXX
24W	4	2	1

Note: 1) The power supply's power should be over the total power when lamps are linked up.

Safety Information

- 1) Indoor use only
- 2) LED Module incorporates no protection against short circuits, overload or overheating. Therefore it is absolutely necessary to operate the modules with an electronically stabilised power supply offering protection against the above mentioned safety risks. Our power supply is specifically designed with protection features for safe operation. When using power supply other than us, the following basic safety features are required, in addition to any other application specific concerns and local safety codes:
Short circuit protection Overload protection Overheat protection

Drawing

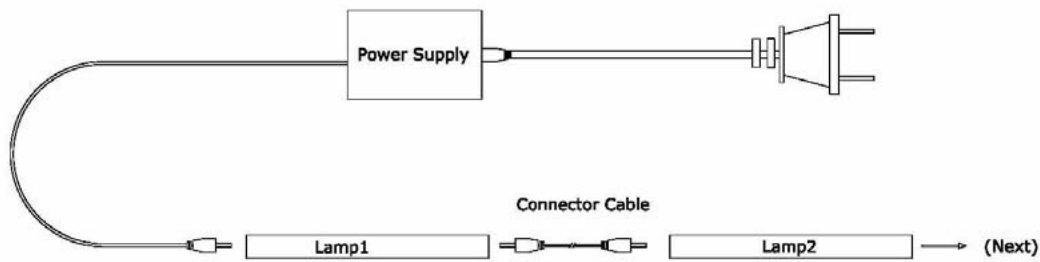


You will need a additional clearance at one or both ends to plug in power cord and/or linking extension(s).

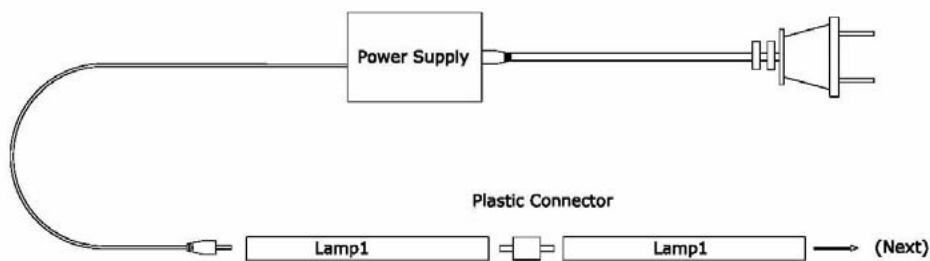
Installation information:



Complete set connection guide:



Connection 1 (A certain distance between lamps)



Connection 2 (Connected in a row without clearance)

- Note: 1) Each box includes 1lamp, 2 Mounting Clip, 2 M2.6x10 screws, 1 manual. (1 Plastic connector, 1 Connector cable is optional)
 2) You can choose different power supply and accessories according to the power supply usage instruction



USE1



USE2



Plastic connector



Led power supply



Mounting clip



Connector cable

Ledlight Group **Linear-Led Lighting** is widely used in showcases, display case or furniture. This triangular Linear-LED Lighting is especially applied for all kinds of square cabinets. It is installed in corner, making angle 45 degree focus on specified accent area. By using connector cable and/or plastic connector, a few lamps can be installed in a row quickly. The single Linear-LED Lighting comes in three different sizes.

Benefits :

- Energy saving up to 50% compared with traditional fluorescent under the same flux
- Life Span—over 50,000 hours
- Available in cool white neutral white and warm whit color temperatures; Available in other colors
- No harmful ultraviolet (UV) rays
- Easy linking up to 36 watts per run
- Easy installation
- Available in three different sizes (L=300mm/500mm/1000mm)
- Using low voltage, more safety

Applications :

LED show case lighting; LED shelf lighting; LED under counter lighting; LED display case lighting; LED retail product Lighting; LED Furniture Lighting; LED bookcase lighting; LED wardrobe lighting; LED wine cabinet lighting; LED under cabinet lighting; LED kitchen cabinet lighting; LED cove lighting; LED accent lighting; LED task lighting.

Technical Operating Data :

length	Number of leds	Voltage	Power	Radiance	Color Temp.	Luminous Flux	Led Current
[mm]	[pcs]	[V DC]	[W]	Angle [°]	[K]	[lm]*	[A]
L=300	42	12/24	3	90	2700-6500k	200	0.18
L=500	72	12/24	5	90	2700-6500k	350	0.18
L=1000	144	12/24	11	90	2700-6500k	700	0.18

Technical Features :

Dimensions: 33mm (width) x 20mm (height) x "L"
 Materials: Aluminum extrusion with black plastic end caps, Acrylic Lens
 Light Source: High brightness SMD3528 LED
 Operating Temperature: -20°C to 40°C - Indoors
 Warranty: 2 year with proper installation and power supply
 Installation: 2 Mounting Clips and 2 M2.6x10 screws make it easy to install

Power supply usage instruction

The following table shows how many lamps the power supply can drive respectively. You can select suitable power supply according to the power per run.

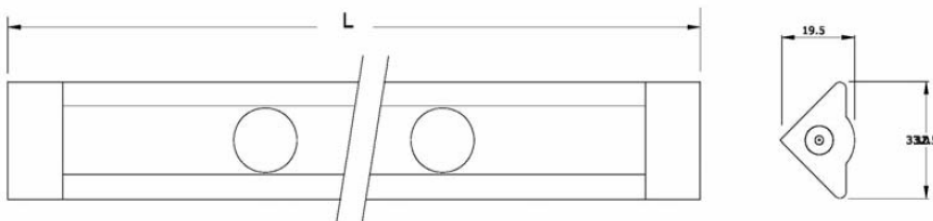
Power Supply	300mm	500mm	1000mm
6W	2	1	XXX
12W	4	2	1
24W	8	4	2
36W	12	6	3

Note: 1) The power supply's power should be over the total power when lamps are linked up.

Safety Information

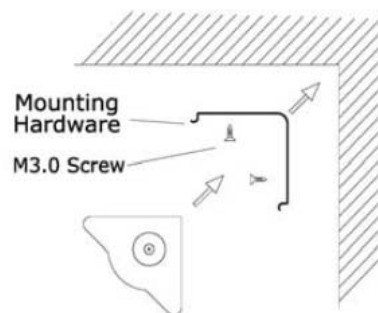
- 1) Indoor use only
- 2) LED Module incorporates no protection against short circuits, overload or overheating. Therefore it is absolutely necessary to operate the modules with an electronically stabilised power supply offering protection against the above mentioned safety risks. Our power supply is specifically designed with protection features for safe operation. When using power supply other than us, the following basic safety features are required, in addition to any other application specific concerns and local safety codes:
 Short circuit protection Overload protection Overheat protection

Drawing :

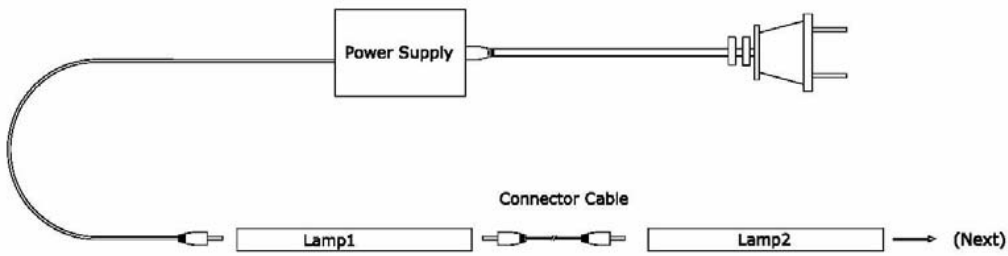


You will need a additional clearance at one or both ends to plug in power cord and/or linking extension(s).

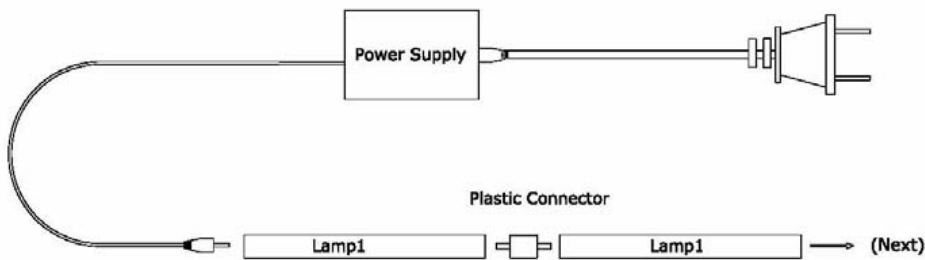
Installation information:



Complete set connection guide:



Connection 1 (A certain distance between lamps)



Connection 2 (Connected in a row without clearance)

Note: 1) Each box includes 1lamp, 2 Mounting Clip, 2 M2.6x10 screws, 1 manual. (1 Plastic connector, 1 Connector cable is optional)
 2) You can choose different power supply and accessories according to the power supply usage instruction