

# LED Panel Light

---

Description: 1200x300 led panel light



## Features

1. Ideal for replacing conventional fluorescent tube fitting.
2. Easy installation,
3. No Glare, No Flicker, No Infra Red.
4. Instant Start, No Warm Up.
5. Low-Cost Maintenance.
6. 50,000 Hour Lamp Life.
7. White or Aluminum Trim
8. Remote control dimmable
9. Even light distribution, high quality PMMA panel with unique light distribution design
10. World-wide recognition, CE ROHS certificated

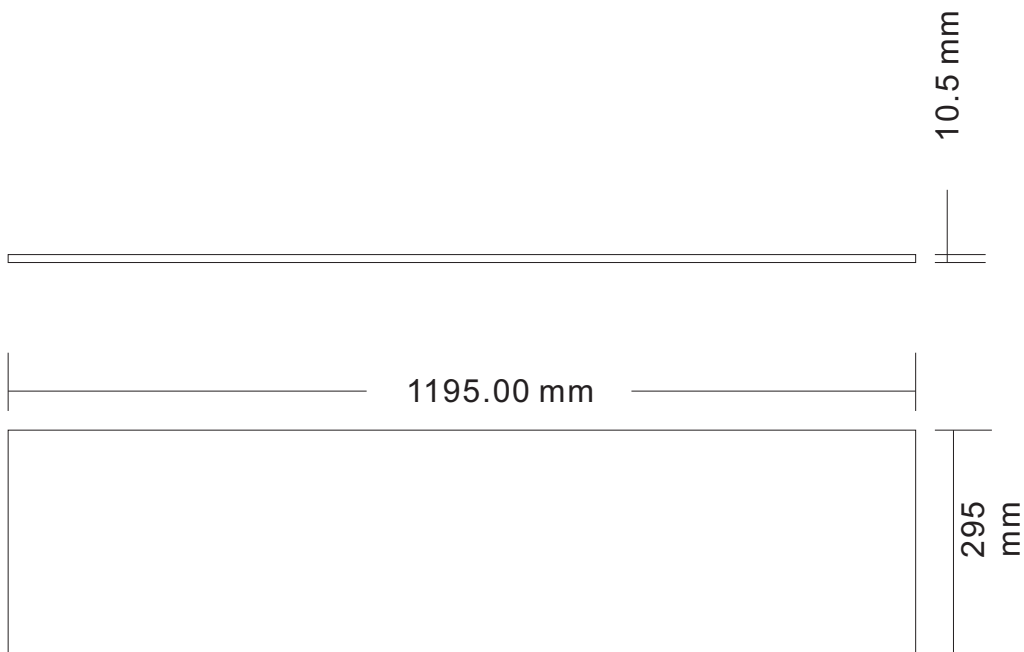
# Spec of LED Panel Light

## Application

1. Commercial lighting, such as hotel, meeting room,
2. Office lighting, factory , Office buildings,
3. Warehouse lighting, household lighting, etc.
4. Hospitals, schools, subways and washrooms and any other places which need high rendering index lighting.

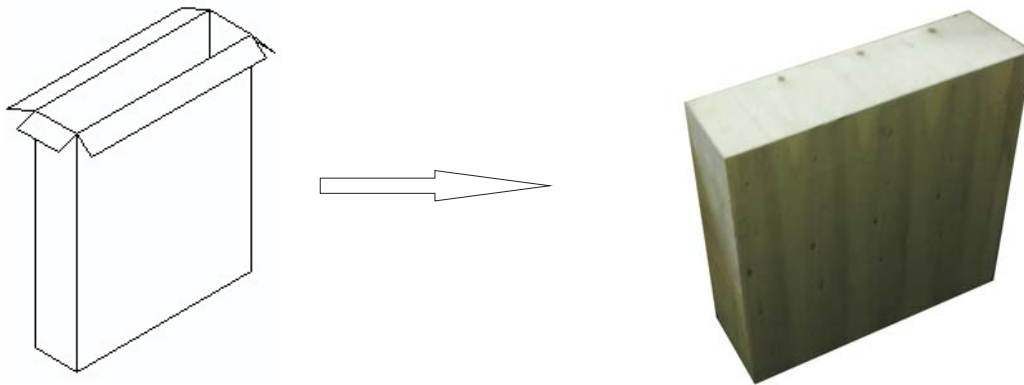


## Dimension :



# Spec of LED Panel Light

## Packing:



5pcs/box

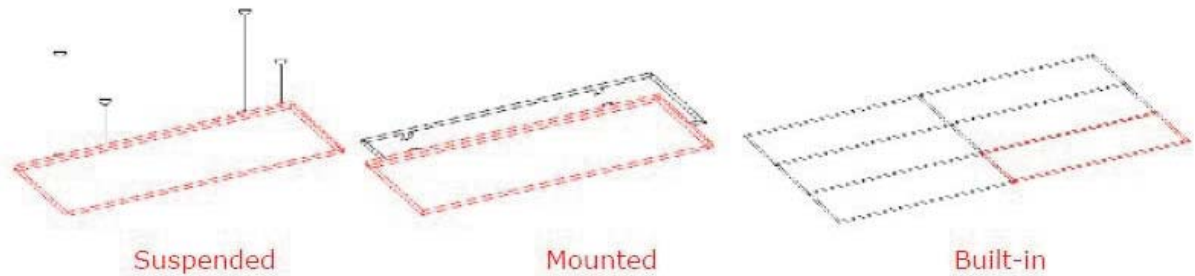
Dimension:1250\*350\*42mm

## Specification:

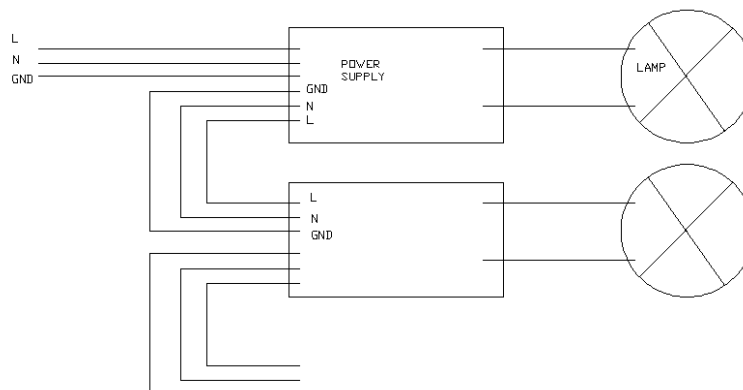
Item NO.:	GL-PAN-05
Light Source:	Ultra bright SMD LED, Epistar LED
Quantity of LED	444
Color temperature:	cool white(6000-6500K) commercial white(4000-4500K) warm white(2800-3300K)
Luminous Flux	2800Lm(Cool white),2650 Lm(Natural white), 2500 Lm(Warm white)
CRI :	>75
Beam Angle:	120 degree
Input Voltage:	AC85V~AC265V available / low voltage DC24V
Wattage:	45watt
Dimention:	1200x300x12.5mm
Materials:	1.High quality lumisheet acrylic plate (PMMA).Aluminum PCB 2. Aluminum frame
Weight	6KG/PCS
Lifespan:	>50000hrs
Operating Temperature	-10 °C to +40°C
Storage Temperature	-20 °C to +60°C
Humidity Operating	10-80%
Humidity Storage	10-80%
IP Code	IP41
Fixing Ways	Built-in, Mounted, Suspended

# Spec of LED Panel Light

## Installation Methods:



## Circuit connection diagram



## ATTENTION::



- To protect the Panel light and ensure the life and reliability of the LEDs, please be gentle. Squeeze and beat are not allowed.
- The light should be installed in an appropriate environment.
- Differentiate between the anode and the electrode to avoid short circuit. Make sure that the power voltage and the lighting voltage are the same.
- Be careful to operate. Please make sure that the power is off before you maintain, install, or change the light.